

VIVANCO

WALL MOUNTS





	FIXED	TILT	SINGLE ARM	DUAL ARM
SMALL 10" – 26" / 25 – 66cm Max. VESA 100x100 Max. 15kg	S	S	S	S
MEDIUM 26" – 37" / 66 – 94cm Max. VESA 300x300 Max. 35kg	M	M	M	M
LARGE 40" – 65" / 102 – 165cm Max. VESA 600x400 Max. 50kg	L	L	L	L



FIXED

SMALL
up to 26"
up to 66cm
VESA 75/100
Max. 15kg



MEDIUM
up to 47"
up to 119cm
VESA 200
Max. 25kg



LARGE
up to 55"
up to 140cm
VESA 300
Max. 35kg



EXTRA LARGE
up to 65"
up to 165cm
VESA 400
Max. 35kg



DUAL ARM

SMALL
up to 26"
up to 66cm
VESA 75/100
Max. 15kg



MEDIUM
up to 37"
up to 94cm
VESA 100/200/300
Max. 25kg



LARGE
up to 65"
up to 165cm
VESA 200/300/400
Max. 35kg



DUAL ARM

SMALL
10" – 40"
25 – 102cm
VESA 200x200
Max. 25kg



MEDIUM
32" – 47"
81 – 119cm
VESA 400x400
Max. 35kg



LARGE
42" – 65"
107 – 165cm
VESA 800x500
Max. 75kg



Core product range



Universal range for all screen sizes and types



SMALL
10" - 26" / 25 - 66 cm

Max. VESA 100x100
Max. 15kg

FIXED



TILT



SINGLE
ARM



DUAL
ARM



MEDIUM
26" - 37" / 66 - 94 cm

Max. VESA 300x300
Max. 35kg



LARGE
40" - 65" / 102 - 165 cm

Max. VESA 600x400
Max. 50kg



Key features:

- Full market coverage with only 12 products
- 3 size classes to choose from
- Choice of 4 function types in each size class
- Fast and easy product navigation in store
- Solid, TÜV-approved product quality



The features of our core range!

A new material

- Titan is the first manufacturer to present wall mounts almost entirely made of hardened polyamide.
- This material is much LIGHTER than metal and features an extraordinary strength, rigidity and durability.
- Due to their very low weight, these wall mounts are much easier to fasten to the wall.



Click Lock system

- After installing the TV set onto the wall mount, you usually secure it to the plate with locking screws.
- This additional step is time-consuming and requires appropriate tools.
- Pulling our new Click Lock cord AUDIBLY opens or closes the lock. You do not need any tools.
- You do NOT need to hold the Click Lock cord when hooking in the TV set.

Tilt Lock function

- Most wall-mounts with tilt function feature a device for locking or unlocking this function.
- In most cases, you have to loosen or tighten several locking screws behind the screen.
- Frequent use of this tilt function can make loosening or tightening the locking screws very cumbersome.
- Our new Click Lock function significantly improves this step (often not taken into account). Pulling the Click Lock cord opens or closes the lock.

Horizontal level correction

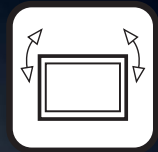
- When installing wall mounts, you often experience slight inaccuracies when drilling holes into the wall.
- Even the slightest of deviations can result in significant horizontal alignment errors, in particular with large screens.
- Our new level correction feature compensates for such inaccuracies and ensures the TV set can be aligned perfectly horizontally.



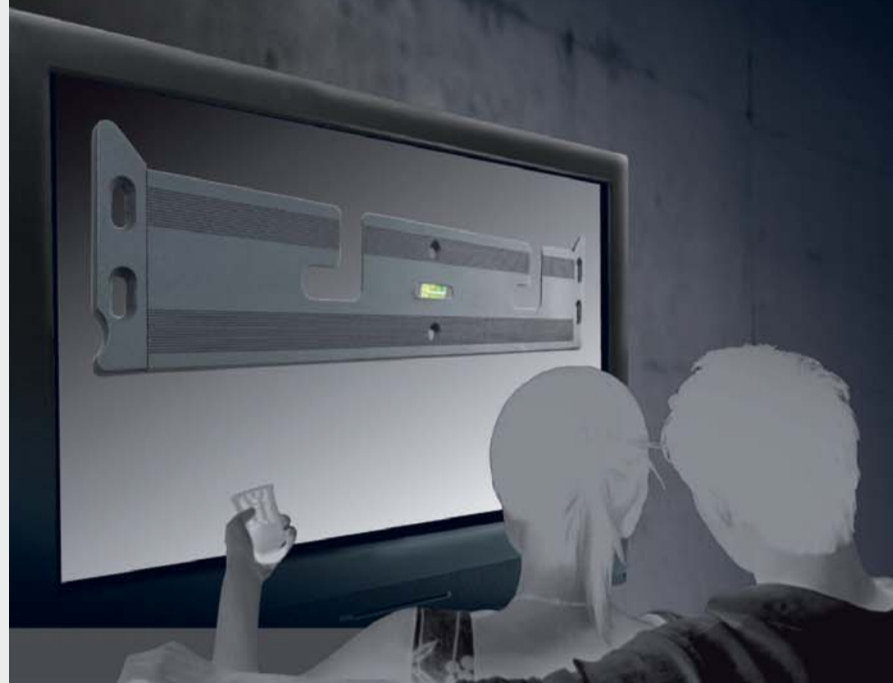
CLICK LOCK



TILT LOCK



LEVEL CORRECTION





new MF 2615
EDP-No. 30660
ctn qty. 15

S
10" – 26"
FIXED



new MF 3735
EDP-No. 30661
ctn qty. 10

M
26" – 37"
FIXED



new MF 6550
EDP-No. 30662
ctn qty. 4

L
40" – 65"
FIXED



**Small light wall mount
made of hardened polyamide**

LCD/LED wall mount up to 26"/15kg, fixed

- New: Mount made of very robust polyamide material
- New: Click lock function
- New: Horizontal level correction
- For LCD/LED screens made by 10"– 26"/25–66cm
- VESA 75/100
- For max. 15kg
- Fixed to the wall
- Distance to wall 18mm
- Weight only 107g
- TÜV approved with three times the maximum load
- High-quality titanium finish

**Medium light wall mount
even for mounting patterns not compliant with VESA**

LCD/LED wall mount up to 37"/35kg, fixed

- New: TV arms made of hardened polyamide
- New: Click lock function
- New: Horizontal level correction
- For LCD/LED screens made by 26"– 37"/66–94cm
- VESA 100/200/300 (variable)
- For max. 35kg
- Fixed to the wall
- Distance to wall 18mm
- Weight only 655g
- TÜV approved with three times the maximum load
- High-quality titanium finish

**Large universal wall mount,
even for mounting patterns not compliant with VESA**

LCD/LED wall mount up to 65"/50kg, fixed

- New: Click lock function
- New: Horizontal level correction
- For LCD/LED screens made by 40"– 65"/102–165cm
- VESA 200 – 600 (variable)
- For max. 50kg
- Fixed to the wall
- Distance to wall 18mm
- Weight only 1,5kg
- TÜV approved with three times the maximum load
- High-quality titanium finish



Core product range - tilt

TV Accessories

Small light wall mount made of hardened polyamide

LCD/LED wall mount up to 26"/15kg, tilt

- New: Mount made of very hardened polyamide
- New: Click lock function
- New: Tilt lock function
- New: Horizontal level correction
- For LCD/LED screens made by 10" – 26"/25 – 66cm
- VESA 75/100
- Tilt up to 15°
- For max. 15kg
- Distance to wall 40mm
- Weight only 243g
- TÜV approved with three times the maximum load
- High-quality titanium finish

Medium universal wall mount, even for mounting patterns not compliant with VESA

LCD/LED wall mount up to 37"/35kg, tilt

- New: Click lock function
- New: Tilt lock function
- New: Horizontal level correction
- For LCD/LED screens made by 26" – 37"/66 – 94cm
- VESA 100 – 300 (variable)
- Tilt up to 15°
- For max. 35kg
- Distance to wall 32mm
- Weight only 2,3kg
- TÜV approved with three times the maximum load
- Built-in spirit level
- High-quality titanium finish

Large universal wall mount, even for mounting patterns not compliant with VESA

LCD/LED wall mount up to 65"/50kg, tilt

- New: Click lock function
- New: Tilt lock function
- New: Horizontal level correction
- For LCD/LED screens made by 40" – 65"/102 – 165cm
- VESA 200 – 600 (variable)
- Tilt up to 15°
- For max. 50kg
- Distance to wall 30mm
- Weight only 3,7kg
- TÜV approved with three times the maximum load
- Built-in spirit level
- High-quality titanium finish

new MT 2615

EDP-No. 30663

ctn qty. 10



10" – 26"
TILT



EASY TO FIT



CLICK LOCK FUNCTION



TILT LOCK FUNCTION



LEVEL CORRECTION



new MT 3735

EDP-No. 30664

ctn qty. 4



26" – 37"
TILT



EASY TO FIT



CLICK LOCK FUNCTION



TILT LOCK FUNCTION



LEVEL CORRECTION



new MT 6550

EDP-No. 30665

ctn qty. 2



40" – 65"
TILT



EASY TO FIT



CLICK LOCK FUNCTION



TILT LOCK FUNCTION



LEVEL CORRECTION



Core product range –
tilt & swing, single arm

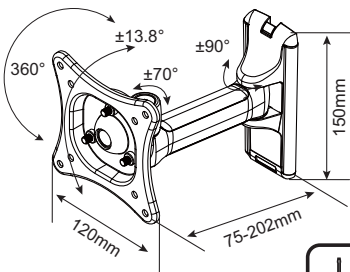


new MS 2615
EDP-No. 30666

ctn qty. 10

S

10" – 26"
SINGLE ARM



EASY TO FIT



TILT
+/-13,8°



SWING
+/- 70°



FULL LEVEL
CORRECTION

Small tilt- and swing wall mount

LCD/LED wall mount up to 26"/15kg,
tilt & swing, single arm

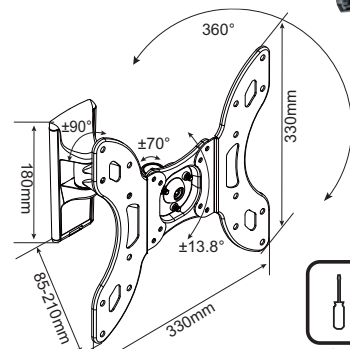
- For LCD/LED screens made by 10"– 26"/25–66cm
- VESA 75/100
- For max. 15kg
- Swing +/-70°
- Tilt +/-13,8°
- 360° rotation / Full level correction
- Distance to wall 75mm – 202mm
- Weight only 686g
- TÜV approved with three times the maximum load
- Built-in spirit level
- High-quality titanium finish

new MS 3735
EDP-No. 30667

ctn qty. 4

M

26" – 37"
SINGLE ARM



EASY TO FIT



TILT
+/-13,8°



SWING
+/- 70°



FULL LEVEL
CORRECTION

Medium tilt- and swing wall mount

LCD/LED wall mount up to 37"/35kg,
tilt & swing, single arm

- For LCD/LED screens made by 26"– 37"/66–94cm
- VESA 100/200/300
- For max. 35kg
- Swing +/-70°
- Tilt +/-13,8°
- 360° rotation / Full level correction
- Distance to wall 85mm – 210mm
- Weight only 1,7kg
- TÜV approved with three times the maximum load
- Built-in spirit level
- High-quality titanium finish



Core product range – tilt & swing, single arm

Large tilt- and swing wall mount even for mounting patterns not compliant with VESA

LCD/LED wall mount up to 65"/50kg, tilt & swing, single arm

- New: Horizontal level correction
- New: Tilt lock function
- For LCD/LED screens made by 40"-65"/102 – 165cm
- VESA 200 – 600 (variable)
- For max. 50kg
- Swing +/-40°
- Tilt -3°/+15°
- Distance to wall 50mm – 275mm
- Weight 5,3kg
- TÜV approved with three times the maximum load
- Cable management
- High-quality titanium finish

new MS 6550

EDP-No. 30668

ctn qty. 2



40" – 65" SINGLE ARM



EASY TO FIT



TILT -3°/+15°



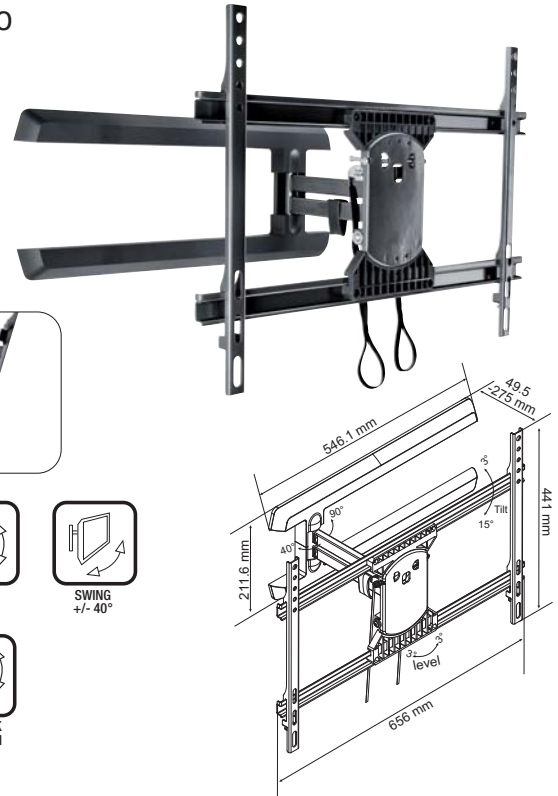
SWING +/- 40°



LEVEL CORRECTION



TILT LOCK FUNCTION



TV Accessories

Core product range – tilt & swing, dual arm

Small full movement wall mount

LCD/LED wall mount up to 26"/15kg, tilt & swing, dual arm

- For LCD/LED screens made by 10"-26"/25 – 66cm
- VESA 75/100
- For max. 15kg
- Swing +/-90°
- Tilt +/-13,8°
- 360° rotation / Full level correction
- Distance to wall 75mm – 330mm
- Weight only 857g
- TÜV approved with three times the maximum load
- Built-in spirit level
- High-quality titanium finish

new MA 2615

EDP-No. 30669

ctn qty. 10



10" – 26" DUAL ARM



EASY TO FIT



FULL MOTION



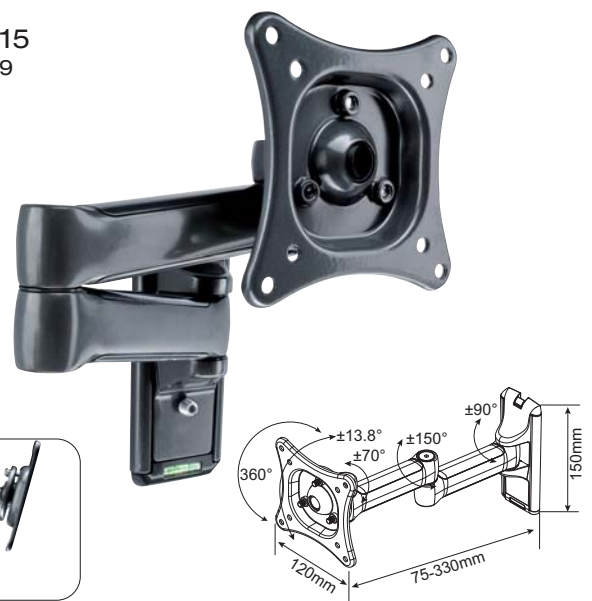
TILT +/-13,8°



SWING +/- 90°



FULL LEVEL CORRECTION



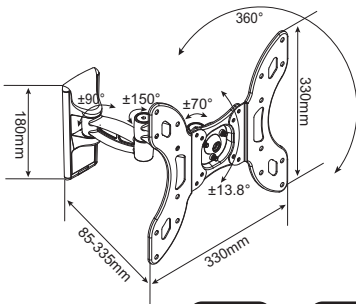
Core product range – tilt & swing, dual arm



new MA 3735
EDP-No. 30670
ctn qty. 4



26" – 37"
DUAL ARM



EASY TO FIT



FULL MOTION



TILT
±13,8°



SWING
±/- 90°



FULL LEVEL
CORRECTION

Medium full movement wall mount

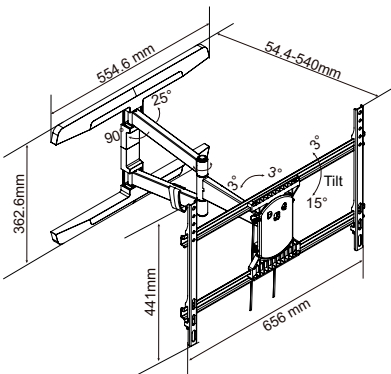
LCD/LED wall mount up to 37"/35kg,
tilt & swing, dual arm

- For LCD/LED screens made by 26"-37"/66-94cm
- VESA 100/200/300
- For max. 35kg
- Swing ±/-90°
- Tilt ±/-13,8°
- 360° rotation / Full level correction
- Distance to wall 85mm – 335mm
- Weight only 2,3kg
- TÜV approved with three times the maximum load
- Built-in spirit level
- High-quality titanium finish

new MA 6550
EDP-No. 30671
ctn qty. 1



40" – 65"
DUAL ARM



EASY TO FIT



FULL MOTION



TILT
-3°/+15°



SWING
±/- 90°



LEVEL
CORRECTION



TILT LOCK
FUNCTION

Large full movement wall mount

LCD/LED wall mount up to 65"/50kg,
tilt & swing, dual arm

- New: Horizontal level correction
- New: Tilt lock function
- For LCD/LED screens made by 40" – 65"/102-165cm
- VESA 200 – 600 (variable)
- For max. 50kg
- Swing ±/-90°
- Tilt -3°/+15°
- Distance to wall 55mm – 540mm
- Weight 6,9kg
- TÜV approved with three times the maximum load
- Cable management
- High-quality titanium finish

Professional – tilt & swing, dual arm

DUAL ARM

SMALL

10" - 40"
25 - 102cm

Max. VESA 200x200
Max. 25kg



MEDIUM

32" - 47"
81 - 119cm

Max. VESA 400x400
Max. 35kg



LARGE

42" - 65"
107 - 165cm

Max. VESA 800x500
Max. 75kg



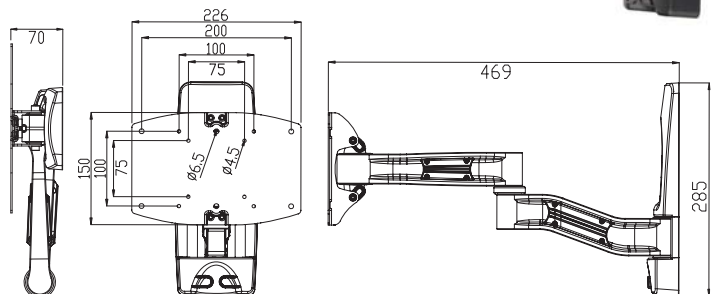
Fully adjustable wall mount
with aluminium swivel arms
10" - 40"/25cm - 102cm; 25kg

- Dual arm aluminum wall mount
- High degree of mobility
- Low installation weight
- Very smooth motion
- Built-in cable management
- For screens made by 10" - 40"/25 - 102cm
- Max. 200x200 VESA
- For max. 25kg
- Tilt max. +/- 15°
- Swing max. +/- 90°
- Distance to wall 70mm - 469mm

MP 4025
EDP-No. 27531
ctn qty. 4



10" - 40"
DUAL ARM



EASY TO FIT



SECURE
FIXING



TILT
+/- 15°



SWING
+/- 90°



CABLE
MANAGEMENT



SMOOTH
MOTION

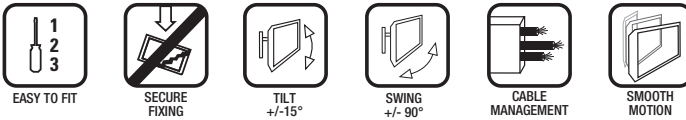
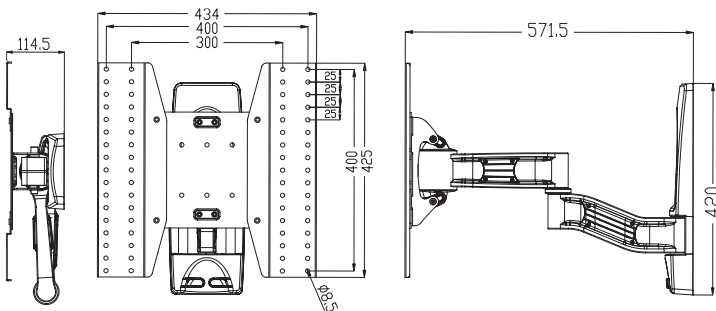
Professional – tilt & swing, dual arm



MP 4735
EDP-No. 26938
ctn qty. 2



32" – 47"
DUAL ARM



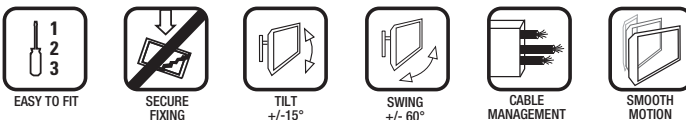
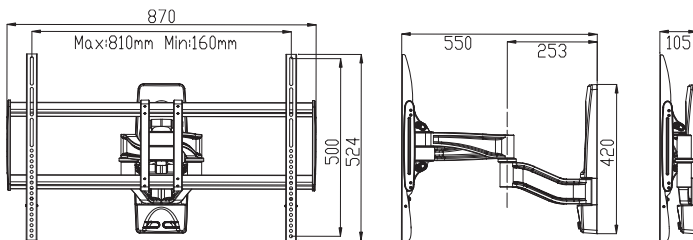
Fully adjustable wall mount with aluminium swivel arms
32" – 47"/81cm – 119cm; 35kg

- Dual arm aluminum wall mount
- High degree of mobility
- Low installation weight
- Very smooth motion
- Built-in cable management
- For screens made by 32"–47"/81–119 cm
- Max. 400x400 VESA
- For max. 35kg
- Tilt max. +/-15°
- Swing max. +/-90°
- Distance to wall 115mm – 572mm

MP 6350
EDP-No. 26939
ctn qty. 1



42" – 65"
DUAL ARM



Elegant wall mount with aluminium double swivel arms
42" – 65"/107cm – 165cm; 75kg

- Dual arm aluminum wall mount
- High degree of mobility
- Low installation weight
- Very smooth motion
- Built-in cable management
- For screens made by 42"–65"/107–165cm
- Max. 800x500 VESA (variable)
- For max. 75kg
- Tilt max. +/-15°
- Swing max. +/-60°
- Distance to wall 105mm – 550mm

Ultra Slim

Only 4,5mm distance to the wall

LCD TV sets become flatter and flatter. The new generation of LED TV sets are even flatter still. Today, some models are already less than 30mm thick.



To match these very flat LED screens, Vivanco developed the "Ultra Slim" series of products.

With the fixed version, the distance between wall and TV set is only 4.5mm. As far as we know, no other wall mount on the market offers a thinner installation distance.

Very easy and safe mounting

Installing our Ultra Slim wall mounts requires only little effort. Contrary to other wall mounts, only one person is needed for installation. In addition to the usual installation instructions, these mounts with mounting instructions on a DVD demonstrating each step in detail. There is no easier way to mount a LED TV on the wall.



FIXED	DUAL ARM
SMALL up to 26" up to 66cm VESA 75/100 Max. 15kg	SMALL up to 26" up to 66cm VESA 75/100 Max. 15kg
MEDIUM up to 47" up to 119cm VESA 200 Max. 25kg	MEDIUM up to 37" up to 94cm VESA 100/200/300 Max. 25kg
LARGE up to 55" up to 140cm VESA 300 Max. 35kg	LARGE up to 65" up to 165cm VESA 200/300/400 Max. 35kg
EXTRA LARGE up to 65" up to 165cm VESA 400 Max. 35kg	



Ultra Slim – fixed



ULTRA FLAT

- Ultra flat: only 4,5mm distance to the wall
- Extremely lightweight: only 200g – 380g
- Super easy: Installation by 1 person only
- Designed and manufactured in Europe
- Protected utility patent
- Exclusively from Vivanco

new Ultra Slim 100
EDP-No. 30038
ctn qty. 10



up to 26"
FIXED



Small ultra flat wall mount
made of high-quality, lightweight aluminium
LED wall mount, VESA 75 and 100, 15kg

- VESA 75/100
- For LED screens made by 26"/66cm
- For max. 15kg
- Fixed to the wall
- Distance to wall only 4,5mm
- Weight only 200g
- TÜV approved with three times the maximum load
- Built-in spirit level
- Incl. manual and instruction video
- High-quality titanium finish
- Designed and manufactured in Europe

new Ultra Slim 200
EDP-No. 30039
ctn qty. 10



up to 47"
FIXED



Medium ultra flat wall mount
made of high-quality, lightweight aluminium
LED wall mount, VESA 200, 25kg

- VESA 200
- For LED screens made by 47"/119cm
- For max. 25kg
- Fixed to the wall
- Distance to wall only 4,5mm
- Weight only 260g
- TÜV approved with three times the maximum load
- Built-in spirit level
- Incl. manual and instruction video
- High-quality titanium finish
- Designed and manufactured in Europe

Ultra Slim – fixed



Large ultra flat wall mount
 made of high-quality, lightweight aluminium
 LED wall mount, VESA 300, 35kg

- VESA 300
- For LED screens made by 55"/139cm
- For max. 35kg
- Fixed to the wall
- Distance to wall only 4,5mm
- Weight only 320g
- TÜV approved with three times the maximum load
- Built-in spirit level
- Incl. manual and instruction video
- High-quality titanium finish
- Designed and manufactured in Europe

new Ultra Slim 300

EDP-No. 30040

ctn qty. 10



up to 55"
 FIXED



ULTRA FLAT



SPIRIT LEVEL



SECURE
 FIXING



EASY TO FIT

Extra large ultra flat wall mount
 made of high-quality, lightweight aluminium
 LED wall mount, VESA 400, 35kg

- VESA 400
- For LED screens made by 65"/165cm
- For max. 35kg
- Fixed to the wall
- Distance to wall only 4,5mm
- Weight only 380g
- TÜV approved with three times the maximum load
- Built-in spirit level
- Incl. manual and instruction video
- High-quality titanium finish
- Designed and manufactured in Europe

new Ultra Slim 400

EDP-No. 30041

ctn qty. 10



up to 65"
 FIXED



ULTRA FLAT



SPIRIT LEVEL



SECURE
 FIXING



EASY TO FIT

AV rack

new MP S220
EDP-No. 28253
ctn qty. 2



Wall-mounted AV rack
High-quality aluminium construction, 2x 10kg

- Entirely black aluminium construction
- Built-in cable management
- Rack floors made of black, hardened glass
- Max. carrying capacity: 2x 10kg
- Includes assembly instructions

Ultra Slim – tilt & swing, dual arm



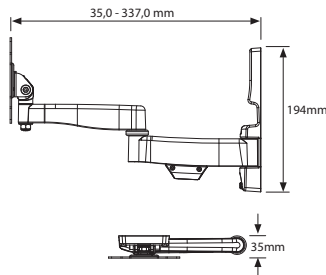
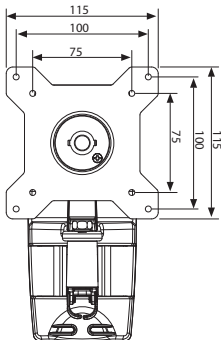
ULTRA FLACH

- Ultra flat: only 35mm distance to the wall
- Full mobility: swivels in all directions
- Super lightweight: high-quality aluminium construction
- Easy and safe mounting: with instructions on DVD
- TÜV approved with three times the maximum load
- 3 products with 100% market coverage in the LED TV sector

new Ultra Slim A2615
EDP-No. 30656
ctn qty. 8



up to 26"
2 ARMS



Small ultra flat wall mount, full motion
LED wall mount up to 26"/66cm, 15kg

- Dual arm aluminum wall mount
- High mobility, fully adaptable
- Low installation weight
- Very smooth motion
- Built-in cable management
- With drilling template and comprehensive instructions, also on DVD
- For LED screens made by 10" – 26"/25 – 66cm
- For VESA 75x75 and 100x100
- For max. 15kg
- Tilt max. +17°/-15°
- Swing max. +/-90°
- 360° rotation
- Distance to wall 35 mm – 337mm





Ultra Slim – tilt & swing, dual arm

TV Accessories

Medium ultra flat wall mount, full motion LED wall mount 26" – 37"/66 – 94cm, 25kg

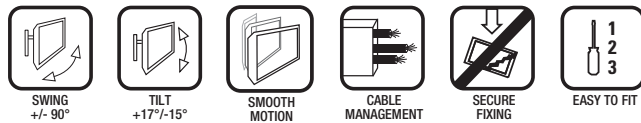
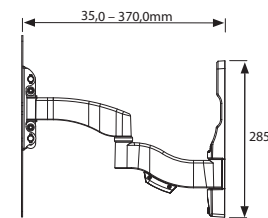
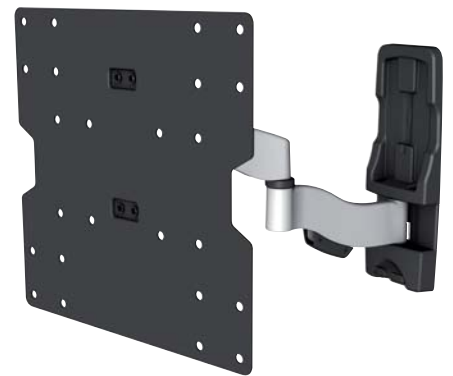
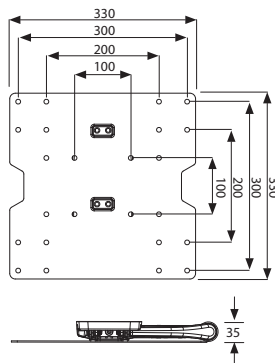
- Dual arm aluminum wall mount
- High mobility, fully adaptable
- Low installation weight
- Very smooth motion
- Built-in cable management
- With drilling template and comprehensive instructions, also on DVD
- For LED screens made by 26" – 37"/66 – 94cm
- For VESA 100x100, 200x100, 200x200, 300x200, 300x300
- For max. 25kg
- Tilt max. +17°/-15°
- Swing max. +/-90°
- Distance to wall 35 mm – 370mm

new Ultra Slim A3725 EDP-No. 30657

ctn qty. 4



26" – 37"
2 ARMS



Large ultra flat wall mount, full motion LED wall mount 40" – 65"/102 – 165cm, 35kg

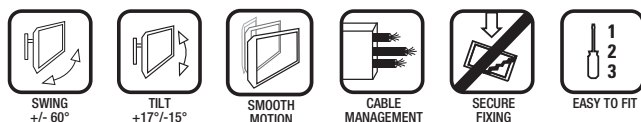
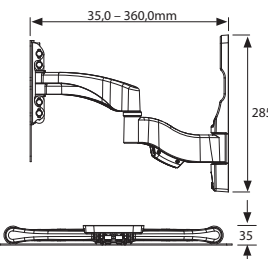
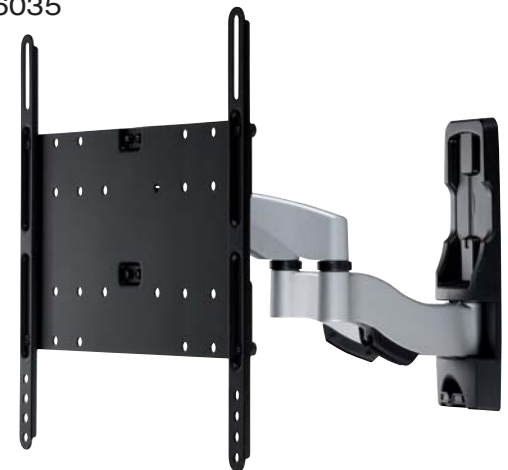
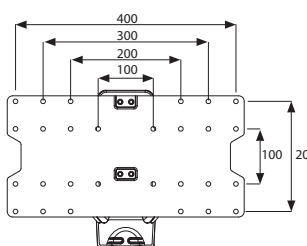
- Dual arm aluminum wall mount
- High mobility, fully adaptable
- Low installation weight
- Very smooth motion
- Built-in cable management
- With drilling template and comprehensive instructions, also on DVD
- For screens made by 40" – 65"/102 – 165cm
- For VESA 200x200, 300x200, 300x300, 400x400
- For max. 35kg
- Tilt max. +17°/-15°
- Swing max. +/- 60°
- Distance to wall 35mm – 360mm

new Ultra Slim A6035 EDP-No. 30658

ctn qty. 3

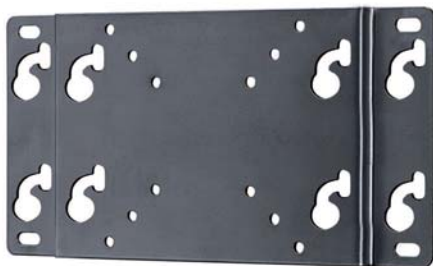


40" – 65"
2 ARMS



Special models

WF 2210
EDP-No. 26943
ctn qty. 20



Simple fixed wall mount for screens up to 22"/56cm

- Suited for screens made by 10" – 22"/25cm – 56cm
- Max. 200 x 100 VESA
- For max. 10kg
- Fix at the wall
- Incl. fastening screws for the TV screen
- TÜV/GS approved
- Colour: black

WF 4020
EDP-No. 26944
ctn qty. 20



Simple fixed wall mount for screens up to 40"/102cm

- Suited for screens made by 10" – 40"/25cm – 102cm
- Max. 200 x 200 VESA
- For max. 20kg
- Fix at the wall
- Incl. fastening screws for the TV screen
- TÜV/GS approved
- Colour: black

WF 4735
EDP-No. 26945
ctn qty. 10



Simple fixed wall mount for screens up to 47"/119cm

- Suited for screens made by 30" – 47"/76cm – 119cm
- Max. 400 x 300 VESA
- For max. 35kg
- Fix at the wall
- Incl. fastening screws for the TV screen
- TÜV/GS approved
- Colour: black

WF 6365
EDP-No. 26946
ctn qty. 10



Simple fixed wall mount for screens up to 63"/160cm

- Suited for screens made by 37" – 63"/94cm – 160cm
- Max. 800 x 400 VESA
- For max. 65kg
- Fix at the wall
- Incl. fastening screws for the TV screen
- TÜV/GS approved
- Colour: black

Special models

Tiltable wall mount for screens up to 22"/56cm

- Suited for screens made by 10" – 22"/25cm – 56cm
- Max. 100 x 100 VESA
- For max. 10kg
- Tilt angle: 10° (continuously adjustable)
- Incl. fastening screws for the TV screen
- TÜV/GS approved
- Colour: black

WT 2210
EDP-No. 26947
ctn qty. 5



Tiltable wall mount for screens up to 40"/102cm

- Suited for screens made by 10" – 40"/25cm – 102cm
- Max. 200 x 200 VESA
- For max. 20kg
- Tilt angle: 12° (continuously adjustable)
- Incl. fastening screws for the TV screen
- TÜV/GS approved
- Colour: black

WT 4020
EDP-No. 26948
ctn qty. 10



Tiltable wall mount for screens up to 47"/119cm

- Suited for screens made by 30" – 47"/76cm – 119cm
- Max. 400 x 300 VESA
- For max. 35kg
- Tilt angle: 12° (continuously adjustable)
- Incl. fastening screws for the TV screen
- TÜV/GS approved
- Colour: black

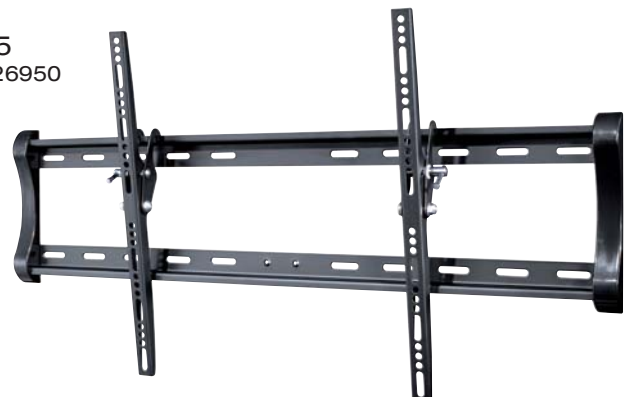
WT 4735
EDP-No. 26949
ctn qty. 5



Tiltable wall mount for screens up to 63"/160cm

- Suited for screens made by 37" – 63"/94cm – 160cm
- Max. 800 x 400 VESA
- For max. 65kg
- Tilt angle: 12° (continuously adjustable)
- Incl. fastening screws for the TV screen
- TÜV/GS approved
- Colour: black

WT 6365
EDP-No. 26950
ctn qty. 5



Special models

WM 2210
EDP-No. 26951
ctn qty. 6



Articulated wall mount for screens up to 22"/56cm

- Suited for screens made by 10" – 22"/25cm – 56cm
- Max. 100 x 100 VESA
- For max. 10kg
- Tilt angle: 10° (continuously adjustable)
- Rotary joint +/-45°, continuously adjustable
- Incl. fastening screws for the TV screen
- TÜV/GS approved
- Colour: black

WM 4020
EDP-No. 26952
ctn qty. 6



Articulated wall mount for screens up to 40"/102cm

- Suited for screens made by 10" – 40"/25cm – 102cm
- Max. 200 x 200 VESA
- For max. 20kg
- Tilt angle: 10° (continuously adjustable)
- 2x rotary joints +/-90°, continuously adjustable
- Incl. fastening screws for the TV screen
- TÜV/GS approved
- Colour: black

Universal projector mounts

WMS P 152 S
EDP-No. 21612
ctn qty. 8



Fixed ceiling mount

- For projectors / beamer
- Maximum overall weight: 15kg
- Universal application by 4 flexibly adjustable mounting arms
- Distance from ceiling: 21.5cm
- Infinitely rotates by 360°
- Laterally inclinable by 20° in all directions
- Incl. screw set for fastening projector to the wall mount (4 off M3x14, M4x14, M5x14, M3x10, M4x10 screws each)
- TÜV / GS approved

WMS P 152 SL
EDP-No. 21613
ctn qty. 4



Height-adjustable ceiling mount

- For projectors / beamer
- Maximum overall weight: 15kg
- Universal application by 4 flexibly adjustable mounting arms
- Height adjustable in steps of 5cm from 34 – 56cm
- Infinitely rotates by 360°
- Laterally inclinable by 20° in all directions
- Cables can be hidden in the mounting pipe
- Incl. screw set for fastening projector to the wall mount (4 off M3x14, M4x14, M5x14, M3x10, M4x10 screws each)
- TÜV / GS approved

Wall mount for microwaves

Universal wall mount for microwaves

- Max. load: 15kg
- Depth infinitely variable from 31 – 42cm
- Including anti-slip pads to hold the device securely on the supporting arms
- Colour: silver
- TÜV / GS approved

WMS 150 MW S

EDP-No. 21614

ctn qty. 10



TV Accessories

Speaker stands and speaker wall mounts

Small wall bracket for speakers

- Max. weight: 5kg
- Inclination angle: 30°
- Inclination can be adjusted at any time without tools by loosening the locking screw
- Rotate angle: 270°
- Incl. screws and wall plugs for wall mounting, incl. fixing screws for many speaker types

WMS 705 LB

EDP-No. 13178

ctn qty. 40 / black finish

WMS 705 LS

EDP-No. 13179

ctn qty. 40 / silver finish



Universal speaker stand, silver finish

- Supports up to 3kg
- Height adjustable 81 – 106cm
- Heavy and stable base (1.6kgs)
- Including universal fixings for most popular speakers
- Contains 2pcs. per carton

WMF 110 SS

EDP-No. 13183

ctn qty. 4



Swivel bases

Swivel bases, black

- For use with TV sets and speaker
- Supports up to 100kg
- Dimension base: 32cm
- Universal useage

WMR 32 B

EDP-No. 02172

ctn qty. 15



Cable cover D-Line



D-16/8 W 4x1m

EDP-No. 26454

ctn qty. 5



16/8 D-profil white 4x 1,0m lenght

- Easy to handle and fit
- Self-adhesive backing
- High-quality material/easy to trim
- No more opening of walls
- Allows routing of cables at a later time
- Easy to open, engages easily and precisely when closed
- Decorativ design
- Rounded D-profile/no accumulation of dust
- Can be painted
- No bending and warping
- UV-proof
- Protected against water jets and dust (no ingression of dust at a vacuum of 20mmbar) acc. to IP65 standard
- Can be installed in bathroom, kitchen or outdoors
- Temperature range -33°C to +60°C - >Flameproof
- Modular system/adapters available
- Bends and connectors available
- Can be easily routed, even in corners
- Routing of T-connectors

D-30/15 W 2x1m

EDP-No. 26455

ctn qty. 5



30/15 D-profil white 2x 1,0m lenght

- Easy to handle and fit
- Self-adhesive backing
- High-quality material/easy to trim
- No more opening of walls
- Allows routing of cables at a later time
- Easy to open, engages easily and precisely when closed
- Decorativ design
- Rounded D-profile/no accumulation of dust
- Can be painted
- No bending and warping
- UV-proof
- Protected against water jets and dust (no ingression of dust at a vacuum of 20mmbar) acc. to IP65 standard
- Can be installed in bathroom, kitchen or outdoors
- Temperature range -33°C to +60°C - >Flameproof
- Modular system/adapters available
- Bends and connectors available
- Can be easily routed, even in corners
- Routing of T-connectors

Cable cover D-Line



50/25 D-profil 1x 1,0m lenght

- Easy to handle and fit
- Self-adhesive backing
- High-quality material/easy to trim
- No more opening of walls
- Allows routing of cables at a later time
- Easy to open, engages easily and precisely when closed
- Decorativ design
- Rounded D-profile/no accumulation of dust
- Can be painted
- No bending and warping
- UV-proof
- Protected against water jets and dust (no ingresson of dust at a vacuum of 20mmbar) acc. to IP65 standard
- Can be installed in bathroom, kitchen or outdoors
- Temperature range -33°C to +60°C - >Flameproof
- Modular system/adapters available
- Bends and connectors available
- Can be easily routed, even in corners
- Routing of T-connectors

16/8 or 30/15 Set of connectors whitev

- No more opening of walls
- Allows routing of cables at a later time
- Decorativ design
- Can be painted
- Can be easily routed, even in corners
- Routing of T-connectors
- No bending and warping
- UV-proof
- Protected against water jets and dust (no ingresson of dust at a vacuum of 20mmbar) acc. to IP65 standard
- Can be installed in bathroom, kitchen or outdoors
- Temperature range -33°C to +60°C -> Flameproof
- Open back allows mounting over existing cables

Adapter set 26458 (suits article 26454) consisting of:

- 2x inner bends
- 2x outer bends
- 2x 90° bends
- 2x end pieces
- 2x T-adapters
- 3x extensions

Adapter set 26459 (suits article 26455) consisting of:

- 2x inner bends
- 2x outer bends
- 1x 90° bends
- 2x end pieces
- 2x T-adapters
- 1x extensions

D-50/25 B 1x1m

EDP-No. 26456

ctn qty. 5 / black

D-50/25 W 1x1m

EDP-No. 26457

ctn qty. 5 / white



D-16/8 W Kit

EDP-No. 26458

ctn qty. 5 / Set:16/8

D-30/15 W Kit

EDP-No. 26459

ctn qty. 5 / Set: 30/15

